

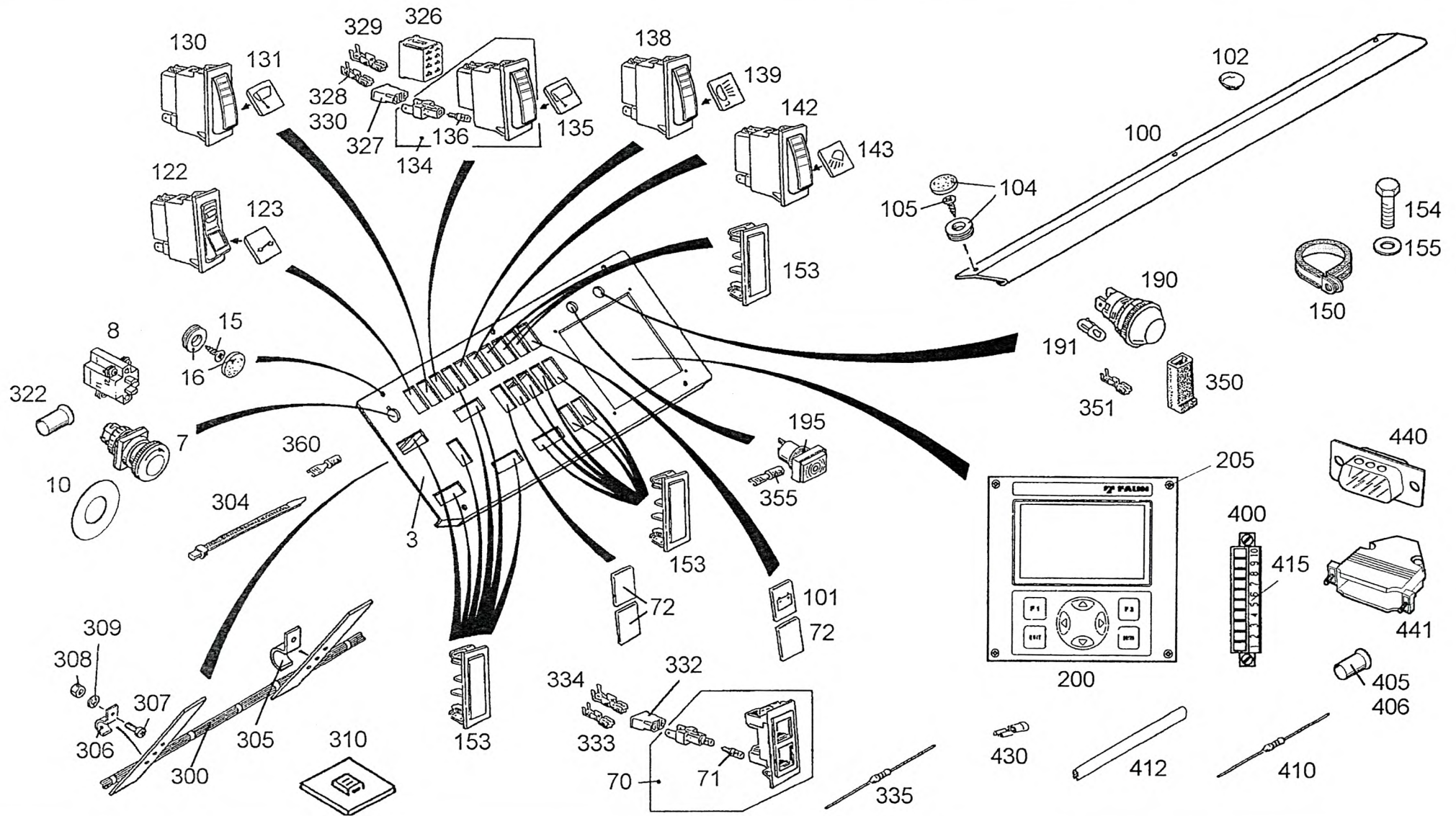
DASHBOARD front
INSTRUMENTENTAFEL vorne
TABLEAU DE BORD av

997-077-64204

Figure
Bild
Figure

7764204

1702-02



DASHBOARD front
 INSTRUMENTENTAFEL vorne
 TABLEAU DE BORD av

997-077-64204

Figure
 Bild 7764204
 Figure

1702-02



| Item Pos. Réf | Part No. Teil-Nr. Pièce No | Designation Benennung Désignation | all alle tous | Qty/assy Stck/Variante Pièce/ensemble | | | | | | | | Figure Bild Figure |
|------------------|----------------------------------|--|---------------------|--|---|---|---|---|---|---|---|--------------------------|
| | | | | A | B | C | D | E | F | G | H | |
| 3 | 997-077-64189 | DASHBOARD INSTRUMENTENTAFEL TABLEAU DE BORD | 1 | | | | | | | | | |
| 7 | 997-070-06567 | PUSHBUTTON DRUCKTASTER BOUTON-POUSSOIR | 1 | | | | | | | | | |
| 8 | 997-070-07072 | CIRCUIT ELEMENT SCHALTELEMENT ELEMENT DE CIRCUIT | 1 | | | | | | | | | |
| 10 | 997-070-07362 | INDICATOR PLATE HINWEISSCHILD PLAQUE INDICATRICE | 1 | | | | | | | | | |
| 15 | 997-005-98258 | TAPPING SCREW 3,9x13 BLECHSCHRAUBE VIS A TOLE | 5 | | | | | | | | | |
| 16 | 997-070-05272 | PROTECTING CAP SCHUTZKAPPE CAPUCHON PROTECTRICE | 5 | | | | | | | | | |
| 70 | 997-070-00285 | INDICATOR LIGHT ANZEIGELEUCHTE LAMPE INDICATRICE | 2 | | | | | | | | | |
| 71 | 997-014-03806 | BULB 24V / 1,2W GLUEHLAMPE AMPOULE | 1 | | | | | | | | | |
| 72 | 997-084-75137 | JACK MASK STECKBLENDE MASQUE ENFICHABLE | 3 | | | | | | | | | |
| 100 | 997-077-54620 | SUN VISOR SONNENBLENDE PARE SOLEIL | 1 | | | | | | | | | |
| 101 | 997-070-00099 | JACK MASK STECKBLENDE MASQUE ENFICHABLE | 1 | | | | | | | | | |
| 102 | 997-077-51167 | COVER Ø4,8 BLINDDECKEL FAUX COUVERCLE | 2 | | | | | | | | | |
| 104 | 997-070-05272 | PROTECTING CAP SCHUTZKAPPE CAPUCHON PROTECTRICE | 3 | | | | | | | | | |
| 105 | 997-005-98258 | TAPPING SCREW 3,9x13 BLECHSCHRAUBE VIS A TOLE | 3 | | | | | | | | | |
| 122 | 997-077-23454 | ROCKER SWITCH WIPPSCHALTER INTERRUPT BASCLT | 1 | | | | | | | | | |

| Item Pos. Réf | Part No. Teil-Nr. Pièce No | Designation Benennung Désignation | all alle tous | Qty/assy Stck/Variante Pièce/ensemble | | | | | | | | Figure Bild Figure |
|------------------|----------------------------------|--|---------------------|--|---|---|---|---|---|---|---|--------------------------|
| | | | | A | B | C | D | E | F | G | H | |
| 123 | 997-077-30655 | JACK MASK STECKBLENDE MASQUE ENFICHABLE | 1 | | | | | | | | | |
| 130 | 997-070-07071 | ROCKER SWITCH WIPPSCHALTER INTERRUPT BASCLT | 1 | | | | | | | | | |
| 131 | 997-084-12676 | JACK MASK STECKBLENDE MASQUE ENFICHABLE | 1 | | | | | | | | | |
| 134 | 997-070-07071 | ROCKER SWITCH WIPPSCHALTER INTERRUPT BASCLT | 1 | | | | | | | | | |
| 135 | 997-077-51235 | JACK MASK STECKBLENDE MASQUE ENFICHABLE | 1 | | | | | | | | | |
| 136 | 997-014-03806 | BULB 24V / 1,2W GLUEHLAMPE AMPOULE | nB | | | | | | | | | |
| 138 | 997-070-07069 | ROCKER SWITCH WIPPSCHALTER INTERRUPT BASCLT | 1 | | | | | | | | | |
| 139 | 997-084-64254 | JACK MASK STECKBLENDE MASQUE ENFICHABLE | 1 | | | | | | | | | |
| 142 | 997-070-07069 | ROCKER SWITCH WIPPSCHALTER INTERRUPT BASCLT | 1 | | | | | | | | | |
| 143 | 997-084-12699 | JACK MASK STECKBLENDE MASQUE ENFICHABLE | 1 | | | | | | | | | |
| 150 | 997-084-03501 | CLAMP 18/15 ROHRSCHELLE COLLIER DE TUYAU | 1 | | | | | | | | | |
| 153 | 997-084-75133 | MASK BLENDE OBTURATRICE | 16 | | | | | | | | | |
| 154 | 997-000-54372 | HEX BOLT M5x16 6KT-SCHRAUBE VIS HEXAGONALE | 1 | | | | | | | | | |
| 155 | 997-084-08994 | DISK 5,3 SCHEIBE DISQUE | 1 | | | | | | | | | |
| 190 | 997-077-30329 | INDICATOR LIGHT ANZEIGELEUCHTE LAMPE INDICATRICE | 1 | | | | | | | | | |

DASHBOARD front
 INSTRUMENTENTAFEL vorne
 TABLEAU DE BORD av

997-077-64204

Figure
 Bild
 Figure

7764204

1702-02



| Item Pos. Réf | Part No. Teil-Nr. Pièce No | Designation Benennung Désignation | all alle tous | Qty/assy Stck/Variante Pièce/ensemble | | | | | | | | Figure Bild Figure |
|------------------|----------------------------------|---|---------------------|--|---|---|---|---|---|---|---|--------------------------|
| | | | | A | B | C | D | E | F | G | H | |
| 191 | 997-000-37752 | BULB 24V / 2W GLUEHLAMPE AMPOULE | 1 | | | | | | | | | |
| 195 | 997-077-51700 | SIGNAL TRANSMITTER SIGNALGEBER TRANSMETTEUR SIGNAL | 1 | | | | | | | | | |
| 200 | 997-070-06933 | COMBINATION INSTR KOMBIINSTRUMENT INSTRUMENT COMBINE | 1 | | | | | | | | | |
| 205 | 997-005-98258 | TAPPING SCREW 3,9x13 BLECHSCHRAUBE VIS A TOLE | 4 | | | | | | | | | |
| 300 | 997-077-64200 | CABLE HARNESS KABELBAUM FAISCEAU DE CABLES | 1 | | | | | | | | | 1702-05 |
| 304 | 997-007-26789 | CABLE TIE 4,8x188 KABELBINDER ATTACHE CABLE | 35 | | | | | | | | | |
| 305 | 997-084-03376 | CLAMP 18 BEFESTIGUNGSCHELLE COLLIER DE FIXATION | 1 | | | | | | | | | |
| 306 | 997-011-75383 | CLAMP 15 BEFESTIGUNGSCHELLE COLLIER DE FIXATION | 1 | | | | | | | | | |
| 307 | 997-007-66476 | FILLISTER HEAD SCREW M5x16 LINSCHRAUBE VIS A TETE BOMBEE | 2 | | | | | | | | | |
| 308 | 997-000-63831 | HEX NUT M5 6KT-MUTTER ECROU HEXAGONALE | 2 | | | | | | | | | |
| 309 | 997-084-03772 | LOCKWASHER 5 SICH-SCHEIBE RONDELLE SECURITE | 2 | | | | | | | | | |
| 310 | 997-002-71361 | MOUNTING BASE BEFESTIGUNGS SOCKEL SOCLE DE FIXATION | 2 | | | | | | | | | |
| 322 | 997-084-13580 | TERMINAL 1,5-8 ADERENDHUELSE DOUILLE D EXTR D FIL | 4 | | | | | | | | | |
| 326 | 997-084-66836 | PLUG SLEEVE HOUSING 8pol STECKHUELSENGEHAEUSE CORPS DOUILLE ENFICH | 11 | | | | | | | | | |
| 327 | 997-084-13652 | PLUG SLEEVE HOUSING 2pol grey STECKHUELSENGEHAEUSE CORPS DOUILLE ENFICH | 11 | | | | | | | | | |

| Item Pos. Réf | Part No. Teil-Nr. Pièce No | Designation Benennung Désignation | all alle tous | Qty/assy Stck/Variante Pièce/ensemble | | | | | | | | Figure Bild Figure |
|------------------|----------------------------------|--|---------------------|--|---|---|---|---|---|---|---|--------------------------|
| | | | | A | B | C | D | E | F | G | H | |
| 328 | 997-077-30037 | FLAT PLUG SLEEVE 6,3-2,5 FLACHSTECKHUELSE DOUILLE ENFICHABLE | 22 | | | | | | | | | |
| 329 | 997-005-90323 | FLAT PLUG SLEEVE 6,3-6 FLACHSTECKHUELSE DOUILLE ENFICHABLE | 31 | | | | | | | | | |
| 330 | 997-009-44095 | FLAT PLUG SLEEVE 6,3-2,5 FLACHSTECKHUELSE DOUILLE ENFICHABLE | 3 | | | | | | | | | |
| 332 | 997-084-13652 | PLUG SLEEVE HOUSING 2pol grey STECKHUELSENGEHAEUSE CORPS DOUILLE ENFICH | 3 | | | | | | | | | |
| 333 | 997-009-44095 | FLAT PLUG SLEEVE 6,3-2,5 FLACHSTECKHUELSE DOUILLE ENFICHABLE | 4 | | | | | | | | | |
| 334 | 997-005-90323 | FLAT PLUG SLEEVE 6,3-6 FLACHSTECKHUELSE DOUILLE ENFICHABLE | 2 | | | | | | | | | |
| 335 | 997-085-20738 | RESISTOR 330 Ω 2W WIDERSTAND RESISTANCE | 1 | | | | | | | | | |
| 350 | 997-084-66710 | PLUG SLEEVE HOUSING 1pol white STECKHUELSENGEHAEUSE CORPS DOUILLE ENFICH | 2 | | | | | | | | | |
| 351 | 997-009-44095 | FLAT PLUG SLEEVE 6,3-2,5 FLACHSTECKHUELSE DOUILLE ENFICHABLE | 2 | | | | | | | | | |
| 355 | 997-070-00861 | FLAT PLUG SLEEVE 2,8x0,5-1,5 FLACHSTECKHUELSE DOUILLE ENFICHFLAT | 2 | | | | | | | | | |
| 360 | 997-084-13544 | FLAT PLUG SLEEVE 6,3-6 FLACHSTECKHUELSE DOUILLE ENFICHFLAT | 5 | | | | | | | | | |
| 400 | 997-070-06988 | PLUG SOCKET CONNECT STECKVERBINDUNG-KPL CONNEXION PAR FICHES CPL | 9 | | | | | | | | | |
| 405 | 997-084-13580 | TERMINAL 1,5-8 ADERENDHUELSE DOUILLE D EXTR D FIL | 33 | | | | | | | | | |
| 406 | 997-077-30309 | TERMINAL 0,5-8 ADERENDHUELSE DOUILLE D EXTR D FIL | 1 | | | | | | | | | |
| 410 | 997-070-06990 | RESISTOR 82 Ω 1W WIDERSTAND RESISTANCE | 1 | | | | | | | | | |

DASHBOARD front
 INSTRUMENTENTAFEL vorne
 TABLEAU DE BORD av

997-077-64204

Figure
 Bild
 Figure

7764204

1702-02



| Item Pos. Réf | Part No. Teil-Nr. Pièce No | Designation Benennung Désignation | all alle tous | Qty/assy Stck/Variante Pièce/ensemble | | | | | | | | Figure Bild Figure | |
|---------------------|----------------------------------|--|---------------------|--|---|---|---|---|---|---|---|--------------------------|--|
| | | | | A | B | C | D | E | F | G | H | | |
| 412 | 997-000-62952 | GUARD PROFILE KANTENSCHUTZ PROFIL PROTECTEUR | 1 | | | | | | | | | | |
| 415 | 997-070-06989 | MARKING STRIP BEZEICHNUNGSSTREIFEN BANDE D IDENTIFICAT | nB | | | | | | | | | | |
| 430 | 997-002-15000 | FLAT PLUG SLEEVE 6,3-2,5 FLACHSTECKHUELSE DOUILLE ENFICHFLAT | 1 | | | | | | | | | | |
| 440 | 997-070-06991 | MULTIWAY CONNECTOR STECKSTIFTLISTE CORDON DE CONTACT MALE | 1 | | | | | | | | | | |
| 441 | 997-070-06993 | HOUSING GEHAEUSE BOITIER | 1 | | | | | | | | | | |